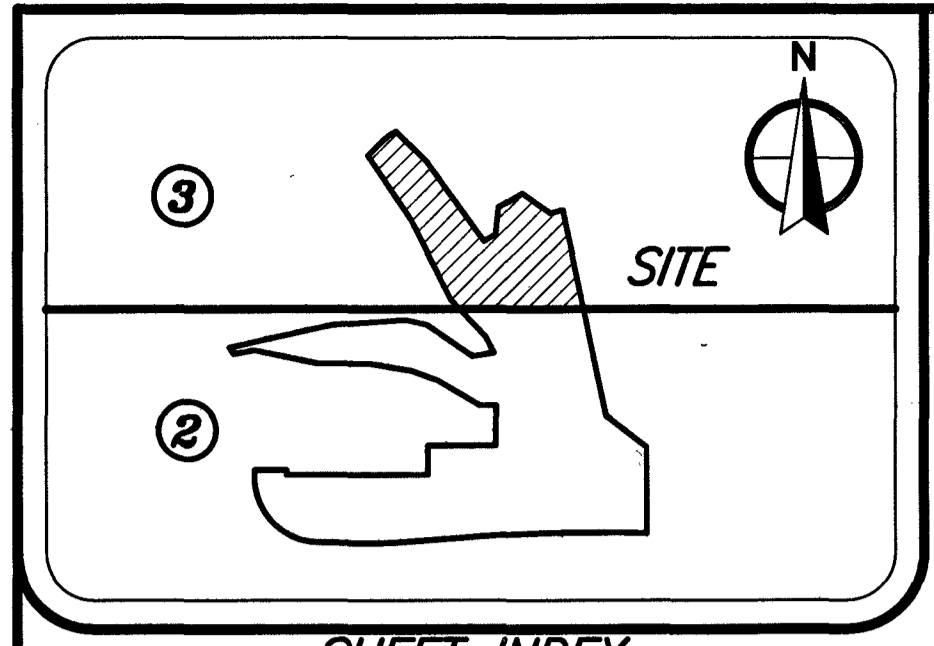


175

SHEET 3 OF 3

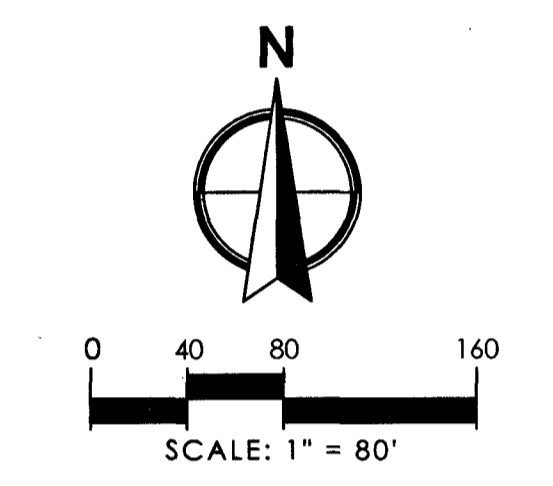
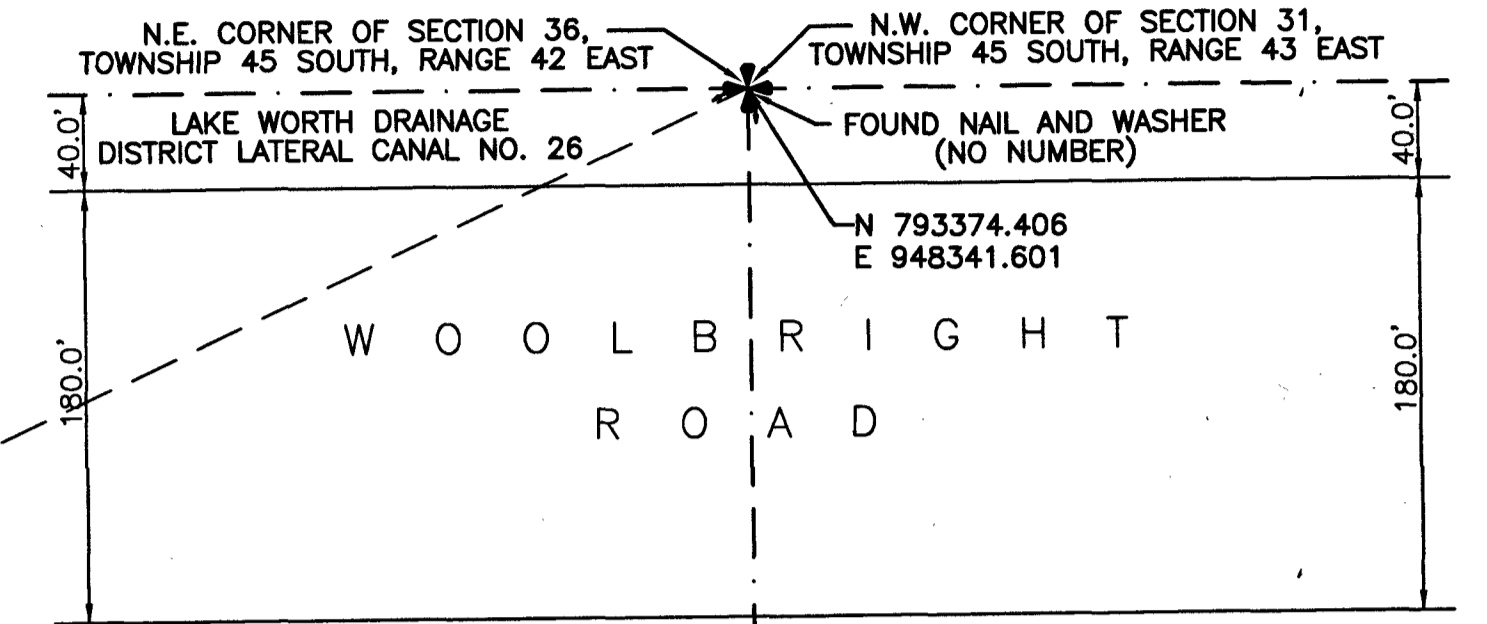


SHEET INDEX
(NOT TO SCALE)

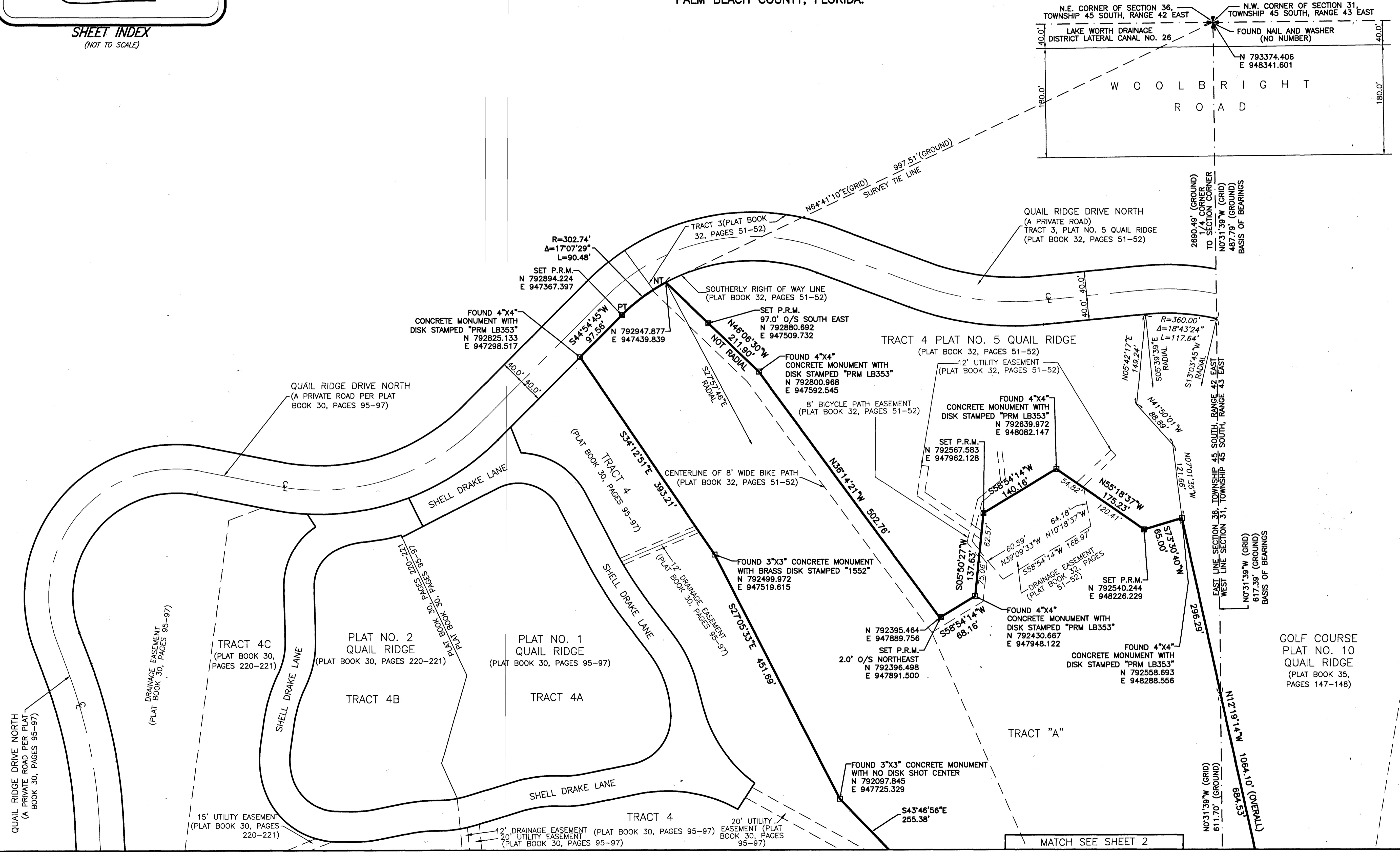
QUAIL RIDGE COUNTRY CLUB, PUD

(A PORTION OF THE QUAIL RIDGE GOLF & COUNTRY CLUB, PUD)

BEING A REPLAT OF TRACTS 1 AND 2, PLAT NO. 1 QUAIL RIDGE (PLAT BOOK 30, PAGES 95, 96 AND 97), AND A REPLAT OF TRACT 5 AND THAT AREA LABELED AS GOLF COURSE, PLAT NO. 5 QUAIL RIDGE (PLAT BOOK 32, PAGES 51 AND 52) BEING IN SECTION 36, TOWNSHIP 45 SOUTH, RANGE 42 EAST AND SECTION 31, TOWNSHIP 45 SOUTH, RANGE 43 EAST, PALM BEACH COUNTY, FLORIDA.



- LEGEND:
- ⊙ = CENTERLINE
 - Δ = DELTA (CENTRAL ANGLE)
 - = SET P.R.M. = SET 4"x4" CONCRETE MONUMENT STAMPED "PRM LB7055"
 - = FND P.R.M. = FOUND 4"x4" CONCRETE MONUMENT STAMPED "PRM LB353"
 - R = RADIUS
 - L = LENGTH
 - O.R.B. = OFFICIAL RECORDS BOOK
 - NT = NON TANGENT
 - PC = POINT OF CURVATURE
 - PT = POINT OF TANGENCY
 - PRM = PERMANENT REFERENCE MONUMENT



MATCH SEE SHEET 2

COORDINATES SHOWN ARE GRID DATUM = NAD83, 1990 ADJUSTMENT ZONE = FLORIDA EAST LINEAR UNIT = U.S. SURVEY FEET COORDINATE SYSTEM 1983 STATE PLANE TRANSVERSE MERCATOR PROJECTION.

ALL DISTANCES ARE GROUND: SCALE FACTOR 1.0000380
GROUND DISTANCE X SCALE FACTOR = GRID DISTANCE



2035 Vista Parkway, West Palm Beach, FL 33411
Phone No. 866.909.2220 www.wginc.com
Cert No. 6091 - LB No. 7055

THIS INSTRUMENT WAS PREPARED BY ERIC MATTHEWS, P.S.M. PROFESSIONAL SURVEYOR AND MAPPER, LICENSE NO. 6717 FOR THE FIRM: WGI, INC.